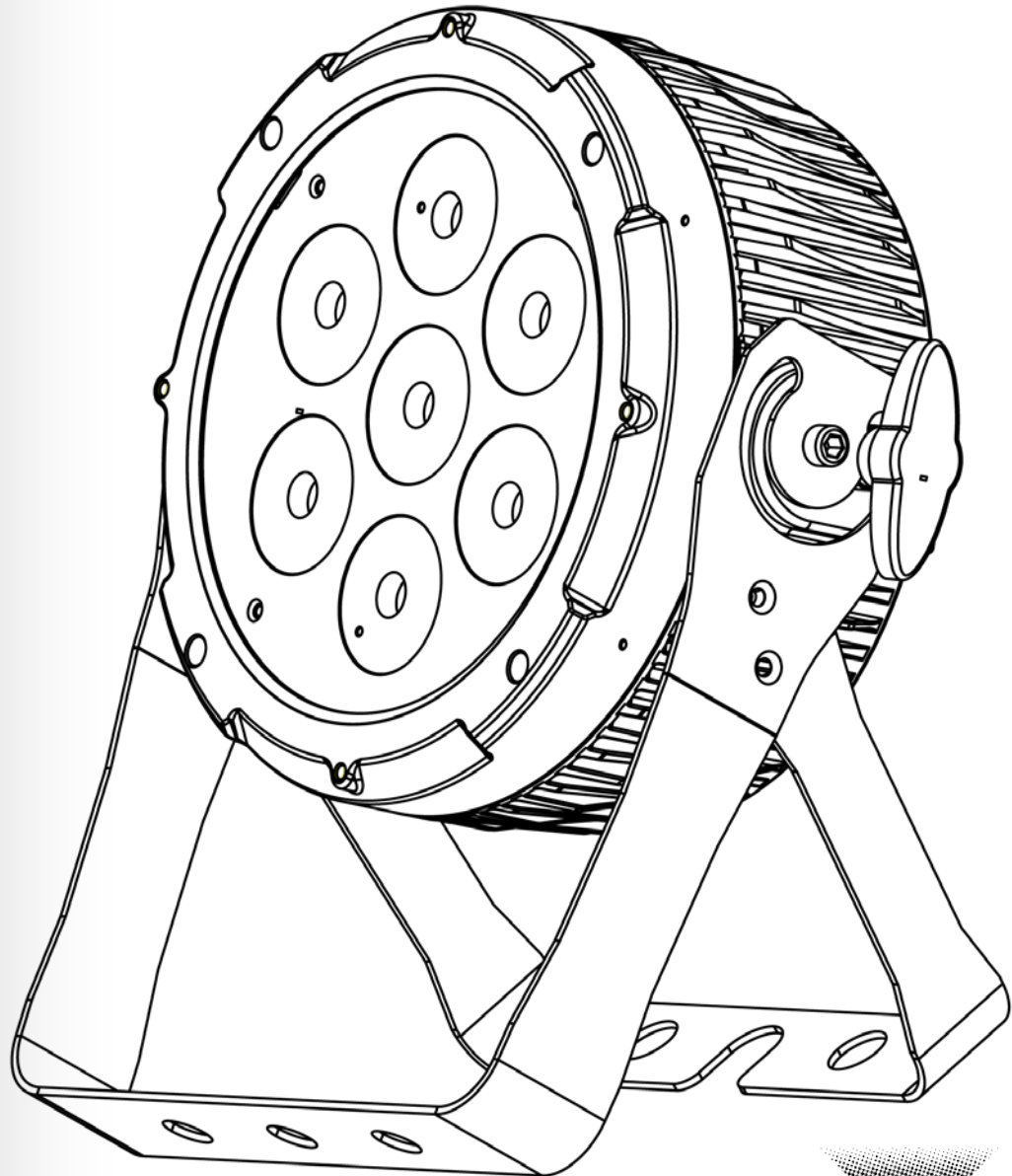


COLORdash™ Par-Hex 7

User Manual



CHAUVET[®]
PROFESSIONAL

Edition Notes The COLORdash™ Par-Hex 7 User Manual Rev. 3 covers the description, safety precautions, installation, programming, operation, and maintenance of the COLORdash™ Par-Hex 7. Chauvet released this edition of the COLORdash™ Par-Hex 7 User Manual in April 2015.

Trademarks CHAUVET® is a registered trademark of CHAUVET & Sons LLC. (d/b/a CHAUVET® or Chauvet). The CHAUVET® logo in its entirety including the CHAUVET® name and the dotted triangle, and all other trademarks in this manual pertaining to services, products, or marketing statements are owned or licensed by Chauvet. Any other product names, logos, brands, company names, and other trademarks featured or referred to within this document are the property of their respective trademark holders.

Copyright Notice Chauvet owns the content of this User Manual in its entirety, including but not limited to pictures, logos, trademarks, and resources.

© **Copyright 2015 Chauvet. All rights reserved.**

Electronically published by Chauvet in the United States of America.

Manual Use Chauvet authorizes its customers to download and print this manual for professional information purposes only. Chauvet expressly prohibits the usage, copy, storage, distribution, modification, or printing of this manual or its content for any other purpose without written consent from Chauvet.

Document Printing For better results, print this document in color, on letter size paper (8.5 x 11 in), double-sided. If using A4 paper (210 x 297 mm), configure your printer to scale the content accordingly.

Intended Audience Any person in charge of installing, operating, and/or maintaining this product should completely read through the guide that shipped with the product, as well as this manual, before installing, operating, or maintaining this product.

Disclaimer Chauvet believes that the information contained in this manual is accurate in all respects. However, Chauvet assumes no responsibility for any errors or omissions in this document. Chauvet reserves the right to revise and make changes to the content of this document without obligation that Chauvet notify any person or company of such revision or changes. This does not in any way constitute a commitment by Chauvet to make such changes. Chauvet may issue a revision of this manual or a new edition to incorporate such changes.

Document Revision The COLORdash™ Par-Hex 7 User Manual Rev. 3 supersedes all previous versions of this manual. Discard any older versions of this manual and replace with this version. Go to www.chauvetprofessional.com for the latest version.

Author	Date	Editor	Date
D. Coupe	3/31/15	M. Trouard	04/08/15

Table of Contents

1. Before You Begin	1
What Is Included	1
Claims	1
Manual Conventions	1
Symbols	1
Product At A Glance	2
Safety Notes	2
Personal Safety.....	2
Mounting And Rigging.....	2
Power And Wiring	2
Operation	2
Expected LED Lifespan	2
2. Introduction	3
Description	3
Features.....	3
Overview	4
Dimensions (gel frame and gel frame holder attached)	5
3. Setup	6
AC Power	6
AC Plug.....	6
Fuse Replacement.....	6
Power Linking	7
DMX Linking.....	7
DMX Personalities.....	7
Master/Slave Connectivity.....	7
Mounting	8
Orientation	8
Rigging.....	8
Procedure	8
4. Operation	9
Control Panel Description	9
Control Options.....	9
Programming	9
Menu Map	10
Menu Map (Cont.)	11
Menu Map (Cont.)	12
Configuration (DMX)	13
DMX Personality	13
DMX Control.....	13
Configuration (Standalone).....	14
Fixed Static Color.....	14
Manual Static Color.....	14
Automatic Programs.....	14
Master/Slave	14
Dimming Modes	15
White Balance.....	15
Backlight	15
Product Temperature	15
Software Information.....	15
Fixture Hours.....	15
LED Test	15
DMX Values	16

DMX Values (cont.).....	17
DMX Values (cont.).....	18
5. Technical Information	19
Product Maintenance.....	19
6. Technical Specifications.....	20
Returns	21
Contact Us	21

1. BEFORE YOU BEGIN




- What Is Included**
- COLORdash™ Par-Hex 7
 - Neutrik® powerCON® power cord
 - Gel frame holder (7.5 in/191 mm accessories)
 - Gel frame
 - Warranty card
 - Quick Reference Guide

Claims Carefully unpack the product immediately and check the box to make sure all the parts are in the package and are in good condition. If the box or the contents (the product and included accessories) appear damaged from shipping or show signs of mishandling, notify the carrier immediately, not Chauvet. Failure to report damage to the carrier immediately may invalidate your claim. In addition, keep the box and contents for inspection. For other issues, such as missing components or parts, damage not related to shipping, or concealed damage, file a claim with Chauvet within 7 days of delivery.

Manual Conventions

Convention	Meaning
1–512	A range of values in the text
50/60	A set of mutually exclusive values in the text
<SET>	A button on the product’s control panel
Settings	A product function or a menu option
MENU>Settings	A sequence of menu options
1–10	A range of menu values from which to choose in a menu
Yes/No	A set of two mutually exclusive menu options in a menu
ON	A unique value to be entered or selected in a menu

Symbols

Symbols	Meaning
	Critical installation, configuration, or operation information. Failure to comply with this information may cause the product not to work, damage third-party equipment, or cause harm to the operator.
	Important installation or configuration information. Failure to comply with this information may keep the product from working.
	Useful information.



The term “DMX” used throughout this manual refers to the USITT DMX512-A digital data transmission protocol.

Product At A Glance	Use on Dimmer	X	Automatic Programs	P
	Outdoor Use	X	Auto-Ranging Power Supply	P
	Sound-Activated	X	Replaceable Fuse	P
	DMX	P	User-Serviceable	X
	Master/Slave	P		

Safety Notes



Read all the following Safety Notes before working with this product. These notes include important information about the installation, usage, and maintenance of this product.

This product contains no user-serviceable parts. Any reference to servicing in this User Manual will only apply to properly trained Chauvet certified technicians. Do not open the housing or attempt any repairs.



All applicable local codes and regulations apply to proper installation of this product.

Personal Safety

- Avoid direct eye exposure to the light source while the product is on.
- Always disconnect this product from its power source before servicing.
- Always connect this product to a grounded circuit to avoid the risk of electrocution.
- Do not touch this product's housing during operation because it may be very hot.

Mounting And Rigging

- Mount this product in a location with adequate ventilation, at least 20 in (50 cm) from adjacent surfaces.
- CAUTION: When transferring product from extreme temperature environments, (e.g. cold truck to warm humid ballroom) condensation may form on the internal electronics of the product. To avoid causing a failure, allow product to fully acclimate to the surrounding environment before connecting it to power.

Power And Wiring

- Make sure there are no flammable materials close to this product while it is operating.
- When hanging this product, always secure to a fastening device using a safety cable.
- Always make sure you are connecting this product to the proper voltage in accordance with the specifications in this manual or on the product's specification label.
- Never connect this product to a dimmer pack or rheostat.
- Never disconnect this product by pulling or tugging on the power cable.

Operation

- Do not operate this product if you see damage on the housing, lenses, or cables. Have the damaged parts replaced by an authorized technician at once.
- To eliminate unnecessary wear and improve its lifespan, during periods of non-use completely disconnect the product from power via breaker or by unplugging it.
- Do not cover the ventilation slots when operating to avoid internal overheating.
- The maximum ambient temperature is 113 °F (45 °C). Do not operate this product at a higher temperature.
- In case of a serious operating problem, stop using this product immediately!



In the unlikely event that your Chauvet product may require service, contact Chauvet Technical Support.

Expected LED Lifespan

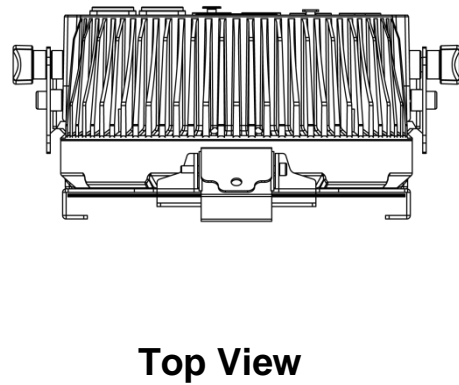
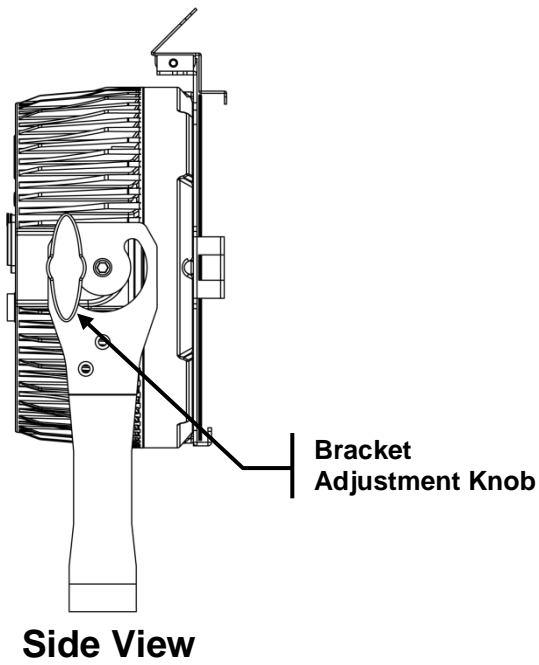
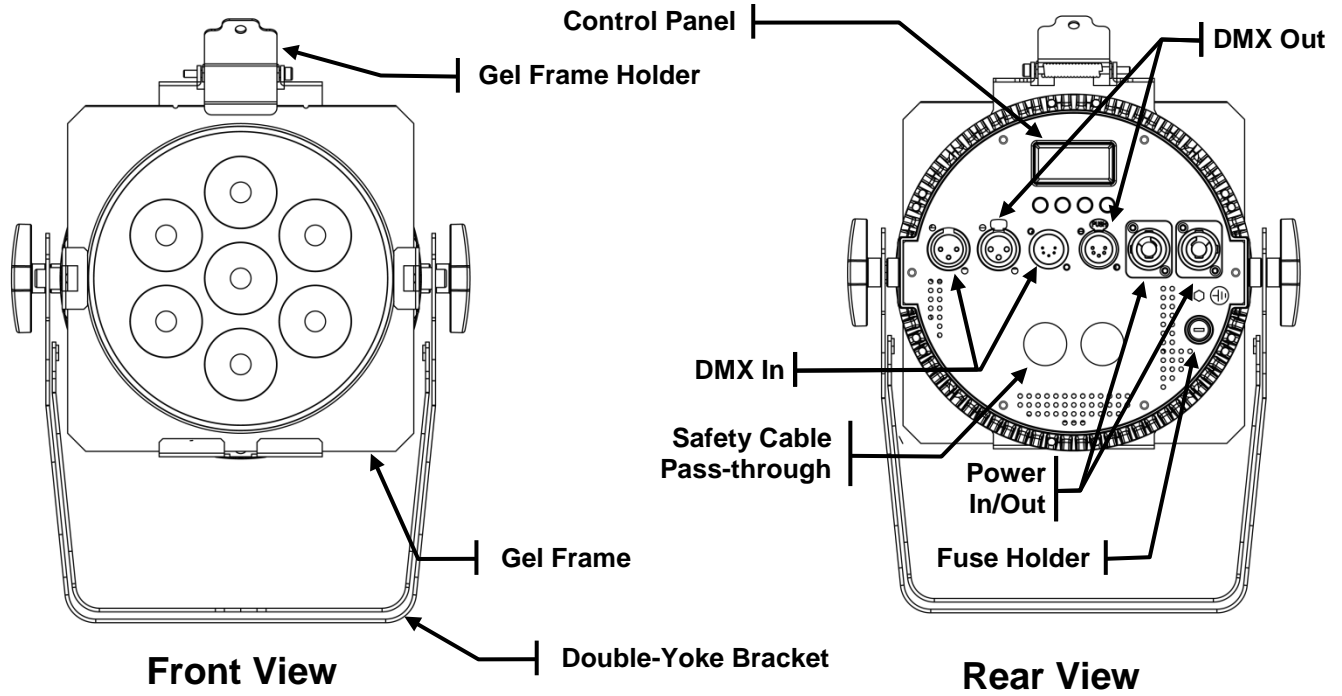
LEDs gradually decline in brightness over time, mostly because of heat. Packaged in clusters, LEDs exhibit higher operating temperatures than in ideal, single-LED conditions. For this reason, using clustered LEDs at their fullest intensity significantly reduces the LEDs' lifespan. Under normal conditions, this lifespan can be 40,000 to 50,000 hours. If extending this lifespan is vital, lower the operating temperature by improving the ventilation around the product and reducing the ambient temperature to an optimal operating range. In addition, limiting the overall projection intensity may also help to extend the LEDs' lifespan.

2. INTRODUCTION

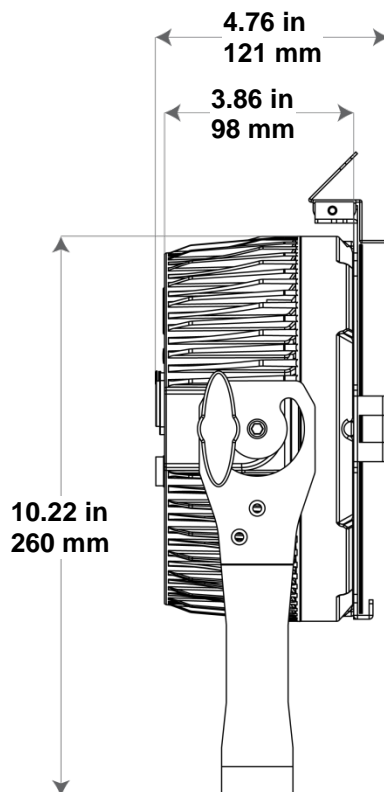
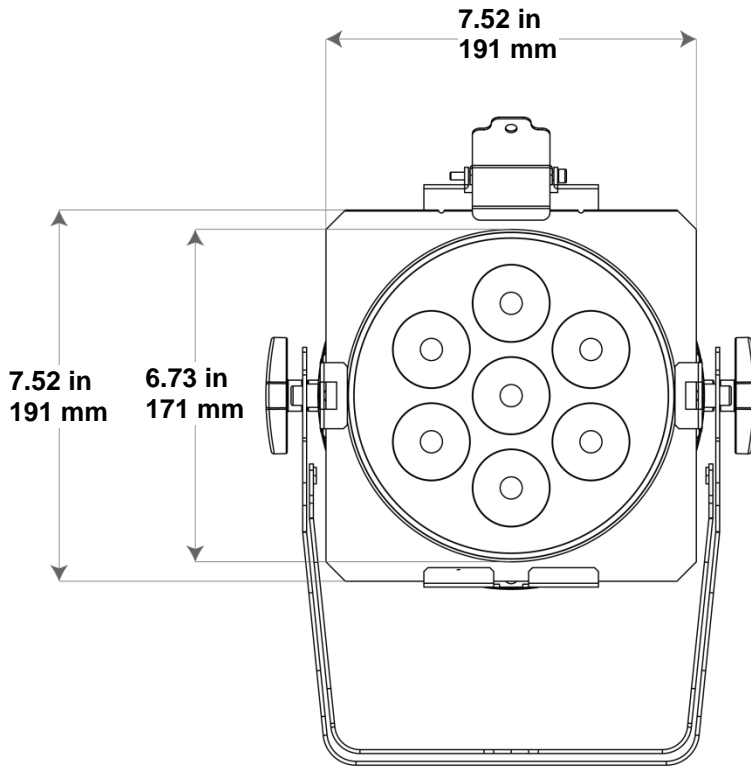
Description The COLORdash™ Par-Hex 7 is powered by 7 hex-color RGBAW+UV LEDs that project deeply saturated colors, any variation of white, and bold UV, all without multicolor shadows. A split-yoke bracket eliminates the need for floor stands. Power linking, Neutrik® powerCON® power input/output as well as 3- and 5-pin DMX connectors are also included. The COLORdash™ Par-Hex 7 also includes a gel frame and gel frame holder.

- Features**
- 3-, 6-, 8-, 12-, or 13-channel hex-color LED wash product
 - Operating modes:
 - 3-channel: HSI control
 - 3-channel: HSV control
 - 6-channel: RGBAW+UV
 - 8-channel: RGBAW+UV, dimmer, strobe
 - 12-channel: RGBAW+UV, dimmer, strobe, macro, automatic programs, dimmer speed, automatic speed
 - 13-channel: 16-bit RGBAW+UV, dimmer speed
 - RGBAW+UV color mixing with or without DMX controller
 - Built-in automated programs via Master/Slave, DMX
 - Recall custom programs via Master/Slave or DMX
 - Four distinct dimming curves
 - RGBAW+UV hex-color LEDs
 - Electronic dimmer
 - Electronic power supply
 - Maximum output: 27 products @ 120 VAC or 52 products @ 230 VAC
 - 3- and 5-pin DMX input and output connectors

Overview



Dimensions (gel frame and gel frame holder attached)



3. SETUP

AC Power

Each COLORdash™ Par-Hex 7 has an auto-ranging power supply that works with an input voltage range of 100 to 240 VAC, 50/60 Hz. To determine the power requirements for each COLORdash™ Par-Hex 7, refer to the label affixed to the product. You can also refer to the [Technical Specifications](#) chart in this manual.

The listed current rating indicates the maximum current draw during normal operation. For more information, you may download Sizing Circuit Breakers from the Chauvet website: www.chauvetprofessional.com.



- **Always connect this product to a protected circuit with an appropriate electrical ground to avoid the risk of electrocution or fire.**
- **To eliminate unnecessary wear and improve its lifespan, during periods of non-use completely disconnect the product from power via breaker or by unplugging it.**



Never connect this product to a rheostat (variable resistor) or dimmer circuit, even if the rheostat or dimmer channel serves only as a 0 to 100% switch.

AC Plug

The COLORdash™ Par-Hex 7 comes with a Neutrik® powerCON A connector on one end and an Edison plug on the other end (US market). If the power cord adapter that came with your product has no plug or you need to change the Edison plug, use the table below to wire the new plug.

Connection	Wire (U.S.)	Wire (Europe)	Screw Color
AC Live	Black	Brown	Yellow or Brass
AC Neutral	White	Blue	Silver
AC Ground	Green/Yellow	Green/Yellow	Green

Fuse Replacement

1. Disconnect this product from the power outlet.
2. Using a flat-head screwdriver, unscrew the fuse holder cap from the housing.
3. Remove the blown fuse and replace with a another fuse of the same type and rating (T 2 A, 250 V).
4. Screw the fuse holder cap back in place and reconnect power.



- **Make sure to disconnect the product's power cord before replacing a blown fuse.**
- **Always replace the blown fuse with another of the same type and rating.**

Power Linking

The COLORdash™ Par-Hex 7 supports power linking. You can power link up to 27 products at 120 V; up to 46 at 208 V; or up to 52 at 230 V. This product comes with a power input cord. Power linking cables are available from Chauvet for purchase.

DMX Linking

You can link the COLORdash™ Par-Hex 7 to a DMX controller using a 3- or 5-pin DMX connection. If using other DMX-compatible products with the COLORdash™ Par-Hex 7, you can control each individually with a single DMX controller.

DMX Personalities

The COLORdash™ Par-Hex 7 uses a 3- or 5-pin DMX data connection with its DMX personalities.

- Refer to the [Introduction](#) chapter for a brief description of each DMX personality.
- Refer to the [Operation](#) chapter to learn how to configure the COLORdash™ Par-Hex 7 to work in these personalities.
- The [DMX Values](#) section provides you with detailed information regarding the DMX personalities.

Master/Slave Connectivity

The Master/Slave mode allows a COLORdash™ Par-Hex 7 (the master) to control one or more COLORdash™ Par-Hex 7s (the slaves) without a DMX controller. One COLORdash™ Par-Hex 7 becomes the master when running an Automatic or Custom program, or by being in a Static mode.

You must configure each slave's control panel to operate in Slave mode. During Master/Slave operation, the slaves will operate in unison with the master.



DO NOT connect a DMX controller to products operating in Master/Slave mode. The DMX controller signals may interfere with the signals from the master.



The [Operation](#) section of this manual provides detailed instructions on how to configure the master and slaves.



If you are not familiar with or need more information about DMX standards, Master/Slave connectivity, or the DMX cables needed to link this product to a DMX controller, download the DMX Primer from the Chauvet website: www.chauvetprofessional.com.

Mounting Before mounting this product, read and follow the [Safety Notes](#). For our CHAUVET® Professional line of mounting clamps, go to <http://trusst.com/products/>.

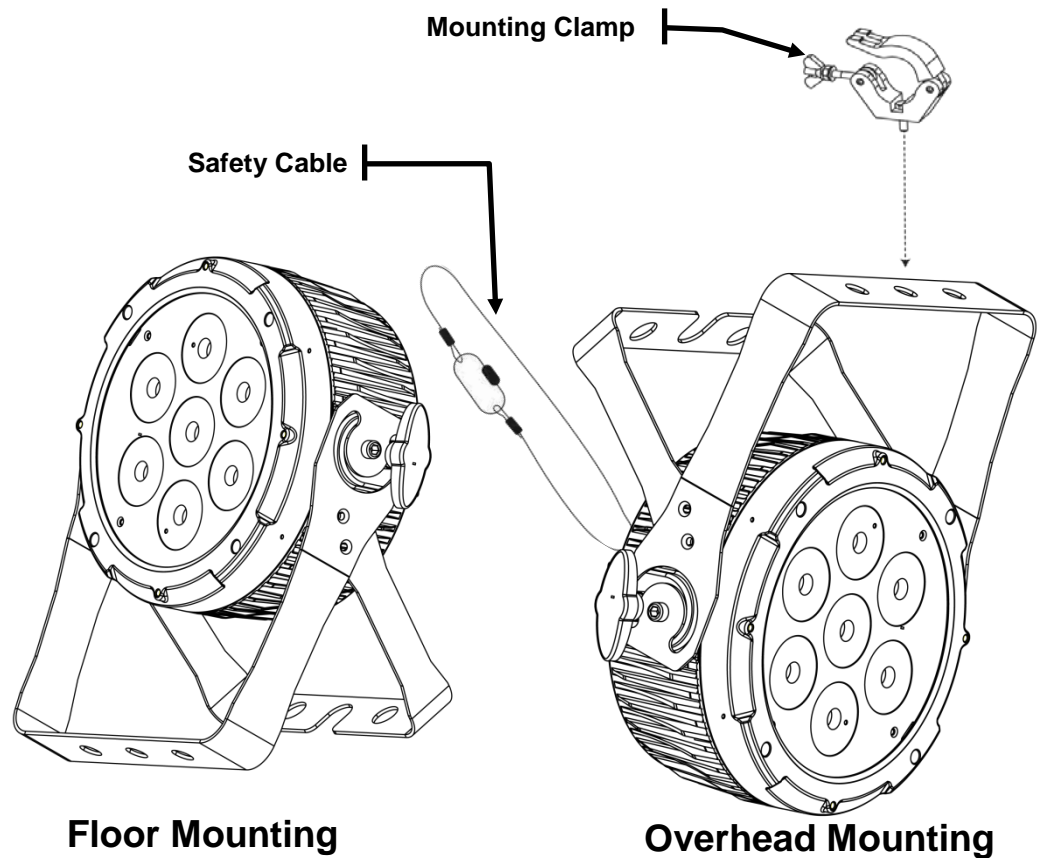
Orientation Always mount this product in a safe position and make sure there is adequate room for ventilation, configuration, and maintenance.

Rigging Chauvet recommends using the following general guidelines when mounting this product.

- When selecting an installation location, consider easy access to this product for operation, programming adjustments, and routine maintenance.
- Make sure to mount this product away from any flammable material as indicated in the [Safety Notes](#).
- Never mount in places where rain, high humidity, extreme temperature changes, or restricted ventilation may affect the product.
- If hanging this product, make sure that the mounting location can support the product's weight. See the [Technical Specifications](#) for the weight-bearing requirements of this product.
- When hanging this product, always secure to a fastening device using a safety cable.

Procedure The COLORdash™ Par-Hex 7 comes with a double-yoke bracket to which you can either attach mounting clamps for hanging or simply use as a floor stand. You must supply your own mounting clamps. Make sure the structure and the clamps are capable of supporting the weight of this product. Use at least one mounting point per product.

Mounting Diagram



4. OPERATION

Control Panel Description

Button	Function
<MENU>	Exits from the current menu or function
<ENTER>	Enables the currently displayed menu or sets the currently selected value in to the current function
<UP>	Navigates upward through the menu list or increases the numeric value when in a function
<DOWN>	Navigates downward through the menu list or decreases the numeric value when in a function

Control Options

You can set the COLORdash™ Par-Hex 7 starting address in the **001–512** DMX range. This enables control of up to 39 products in the 13-channel **13Ch** personality.

Programming

Refer to the [Menu Map](#) to understand the menu options. The menu map shows the main level and a variable number of programming levels for each option.

- To go to the desired main level, press **<MENU>** repeatedly until the option shows on the display. Press **<ENTER>** to select. This will take you to the first programming level for that option.
- To select an option or value within the current programming level, press **<UP>** or **<DOWN>** until the option shows on the display. Press **<ENTER>** to select. In this case, if there is another programming level, you will see that first option, or you will see the selected value.
- Press **<MENU>** repeatedly to exit to the previous main level.

Menu Map

Main Level	Programming Levels		Description
Auto	Auto 0–4	Speed 0–100	Automatic programs
Static	Fix C	R	Red
		G	Green
		B	Blue
		A	Amber
		W	White
		P	Ultraviolet (UV)
		RG	Red/Green
		RB	Red/Blue
		RA	Red/Amber
		RW	Red/White
		RP	Red/UV
		GB	Green/Blue
		GA	Green/Amber
		GW	Green/White
		GP	Green/UV
		BA	Blue/Amber
		BW	Blue/White
		BP	Blue/UV
		AW	Amber/White
		AP	Amber/UV
		WP	White/UV
		RGB	Red/Green/Blue
		RGA	Red/Green/Amber
		RGW	Red/Green/White
		RGP	Red/Green/UV
		RBA	Red/Blue/Amber
		RBW	Red/Blue/White
		RBP	Red/Blue/UV
		RAW	Red/Amber/White
		RAP	Red/Amber/UV
		RWP	Red/White/UV
		GBA	Green/Blue/Amber
GBW	Green/Blue/White		
GBP	Green/Blue/UV		
BAW	Blue/Amber/White		
BAP	Blue/Amber/UV		
AWP	Amber/White/UV		

Menu Map (Cont.)

Main Level	Programming Levels		Description	
Static (cont.)	Fix C (cont.)	BWP	Blue/White/UV	
		GAW	Green/Amber/White	
		GAP	Green/Amber/UV	
		GWP	Green/White/UV	
		RGBA	Red/Green/Blue/Amber	
		RGBW	Red/Green/Blue/White	
		RGBP	Red/Green/Blue/UV	
		RGAW	Red/Green/Amber/White	
		RGAP	Red/Green/Amber/UV	
		RGWP	Red/Green/White/UV	
		RBAW	Red/Blue/Amber/White	
		RBAP	Red/Blue/Amber/UV	
		RBWP	Red/Blue/White/UV	
		RAWP	Red/Amber/White/UV	
		GBAW	Green/Blue/Amber/White	
		GBAP	Green/Blue/Amber/UV	
		GBWP	Green/Blue/White/UV	
		GAWP	Green/Amber/White/UV	
		BAWP	Blue/Amber/White/UV	
		RGBAW	Red/Green/Blue/Amber/White	
		RGBAP	Red/Green/Blue/Amber/UV	
		RGBWP	Red/Green/Blue/White/UV	
		RGAWP	Red/Green/Amber/White/UV	
		RBAWP	Red/Blue/Amber/White/UV	
GBAWP	Green/Blue/Amber/White/UV			
RGBAWP	Red/Green/Blue/Amber/White/UV			
Manu C	R	Value	0–255	Combine red, green, blue, amber, white, and ultraviolet to make a custom color (0–100%)
	G			
	B			
	A			
	W			
	P			
Dim Mode	Off		No dimmer	
	DIM 1–3		Dimming curves DIM 1 (fast) to DIM 3 (slow)	

Menu Map (Cont.)

Main Level	Programming Levels			Description
BackLite	10S			Turns off display backlight after 10 sec of inactivity
	20S			Turns off display backlight after 20 sec of inactivity
	30S			Turns off display backlight after 30 sec of inactivity
	On			Display backlight always on
Info	Auto	Test		Turns on all LEDs in sequence for testing
	FixHours			Shows total product hours
	Version			Shows installed software version
Address	001–512			Selects DMX address (highest channel restricted to personality chosen)
Channel	6 Ch			6-channel: RGBAW+UV control
	8 Ch			8-channel: RGBAW+UV control, dimmer, and strobe
	12Ch			12-channel: RGBAW+UV control, dimmer, strobe, color macro/white balance, automatic programs, automatic speed, dimmer speed
	13Ch			13-channel: 16-bit RGBAW+UV, dimmer speed
	HSV			3-channel: HSV control
	HSI			3-channel: HSI control
M&S Mode	Master			DMX mode (Master)
	Slave			Slave mode
White Balance	R	Value	125–255	Sets red LED maximum value
	G			Sets green LED maximum value
	B			Sets blue LED maximum value
Temp	XX° C			Shows product's temperature (°C)

Configuration (DMX)

Use DMX configurations to operate the product with a DMX controller.

DMX Personality

This setting allows you to choose a particular DMX personality.

1. Go to the **Channel** main level.
 2. Select the desired personality (**6 Ch**, **8 Ch**, **12Ch**, **13Ch**, **HSV** or **HSI**).
- See the [DMX Values](#) section for the highest starting address you can select for each personality.
 - Make sure that the starting addresses on the various products do not overlap due to the new personality setting.



DMX Control

In this mode, each product will respond to a unique starting address from the DMX controller. All products with the same starting address will respond in unison.

1. Select a DMX personality as shown in [DMX Personality](#).
2. Set the starting address.
3. Go to **Address** main level.
4. Select the starting address (**001–510**).

The highest starting address for each DMX mode is as follows:



DMX Mode	DMX Address	DMX Mode	DMX Address	DMX Mode	DMX Address
6 Ch	507	8 Ch	505	12Ch	501
13Ch	500	HSV	510	HSI	510

Configuration (Standalone) Use standalone configuration to operate the product without a DMX controller.

Fixed Static Color The Fixed Static Color mode allows for preset RGBAW+UV color mixing without a DMX controller.

1. Go to the **Static** main level.
2. Select the **Fix C** programming level.
3. Select the desired color combination. See [Menu Map](#).

Manual Static Color The Manual Static Color mode allows for manually customizable RGBAW+UV color mixing without a DMX controller.

1. Go to the **Static** main level.
2. Select the **Manu C** programming level.
3. Select the desired color **R, G, B, A, W** or **P** (UV).
4. Go to the **Value** programming option.
5. Select the desired color value **0–255** (0–100%).
6. Repeat for the other colors.

Automatic Programs Automatic programs allow for dynamic RGBAW+UV color mixing without a DMX controller.

1. Go to the **Auto** main level.
2. Select the desired automatic (**Auto 0–4**) program.
3. Go to the **Speed** programming level.
4. Select the desired speed **0–100**.



You cannot edit any of the automatic programs (Automatic 0–4).

Master/Slave The Master/Slave mode allows a group of COLORdash™ Par-Hex 7s (the slaves) to simultaneously duplicate the output of another COLORdash™ Par-Hex 7 (the master) without a DMX controller.

1. Set each of the slaves:
 - a. Go to the **M & S Mode** main level.
 - b. Select **Slave**.
2. Set the master:
 - a. Go to the **M & S Mode** main level.
 - b. Select **Master**.
 - c. Select an automatic program as explained in [Automatic Programs](#), or a static mix of colors as explained in [Fixed Static Color](#) or [Manual Static Color](#).

- **The master is the one that runs a program whether in one of the Static Color modes or Automatic programs.**



- **Do not connect a DMX controller to the products configured for Master/Slave operation. The DMX controller may interfere with signals from the master.**

- **The master should be the first product in the daisy chain.**

Dimming Modes This setting provides three different options to simulate the dimming curve of an incandescent lighting product.

1. Go to the **Dim Mode** main level.
2. Select a dimmer curve (**OFF**, **DIM 1**, **DIM 2**, or **DIM 3**).



- OFF:** The output is proportional (linear) to the dimmer.
- DIM 1–3:** The output follows the dimmer based on the corresponding dimmer curve, **DIM 1** being the fastest and **DIM 3** the slowest.

White Balance This setting allows you to select the white color shown by the COLORdash™ Par-Hex 7 by adjusting the red, green, and blue maximum values.

1. Go to the **White Balance** main level.
2. Select a color **R**, **G**, or **B**.
3. Go to the **Value** programming level.
4. Select a color value (**125–255**).
5. Repeat for the other colors.



When adjusting the white balance, you will only be able to define the values of red, green, and blue.

Backlight This setting allows you to set the amount of time the backlight on the COLORdash™ Par-Hex 7's display stays on after the last button is pressed on the control panel.

1. Go to the **BackLite** main level.
2. Select **On** (remains on), **10S** (10 seconds), **20S** (20 seconds), or **30S** (seconds).

Product Temperature This option shows the temperature (°C) of the COLORdash™ Par-Hex 7.

- Go to the **Temp** main level.

Software Information This option shows what version of software the COLORdash™ Par-Hex 7 is running.

1. Go to the **Info** main level.
2. Select **Version** and the version number will show on the display.

Fixture Hours This option shows the total amount of hours the COLORdash™ Par-Hex 7 has been turned on.

1. Go to the **Info** main level.
2. Select **FixHours** and the total number of hours will show on the display.

LED Test This option runs a check of the LEDs on the COLORdash™ Par-Hex 7 by turning on all the LEDs in sequence.

1. Go to the **Info** main level.
2. Go to the **Auto** programming level.
3. Go to the **Test** programming level.

DMX Values

HSV	Channel	Function	Value	Percent/Setting
	1	Hue	000 ó 255	0–100%
	2	Saturation	000 ó 255	0–100%
	3	Value	000 ó 255	0–100%

HSI	Channel	Function	Value	Percent/Setting
	1	Hue	000 ó 255	0–100%
	2	Saturation	000 ó 255	0–100%
	3	Intensity	000 ó 255	0–100%

6 Ch	Channel	Function	Value	Percent/Setting
	1	Red	000 ó 255	0–100%
	2	Green	000 ó 255	0–100%
	3	Blue	000 ó 255	0–100%
	4	Amber	000 ó 255	0–100%
	5	White	000 ó 255	0–100%
	6	UV	000 ó 255	0–100%

8 Ch	Channel	Function	Value	Percent/Setting
	1	Dimmer	000 ó 255	0–100%
	2	Red	000 ó 255	0–100%
	3	Green	000 ó 255	0–100%
	4	Blue	000 ó 255	0–100%
	5	Amber	000 ó 255	0–100%
	6	White	000 ó 255	0–100%
	7	UV	000 ó 255	0–100%
	8	Strobe	000 ó 010 011 ó 255	No function Slow to fast

DMX Values (cont.)

12Ch	Channel	Function	Value	Percent/Setting
	1	Dimmer	000 ó 255	0–100%
	2	Red	000 ó 255	0–100%
	3	Green	000 ó 255	0–100%
	4	Blue	000 ó 255	0–100%
	5	Amber	000 ó 255	0–100%
	6	White	000 ó 255	0–100%
	7	UV	000 ó 255	0–100%
	8	Strobe	000 ó 010 011 ó 255	No function Slow to fast
	9	Color Macro + White Balance	000 ó 010 011 ó 030 031 ó 050 051 ó 070 071 ó 090 091 ó 110 111 ó 130 131 ó 150 151 ó 170 171 ó 200 201 ó 205 206 ó 210 211 ó 215 216 ó 220 221 ó 225 226 ó 230 231 ó 235 236 ó 240 241 ó 245 246 ó 250 251 ó 255	No function R: 100% G: 0–100% B: 0 R: 100%–0 G: 100% B: 0 R: 0 G: 100% B: 0–100% R: 0 G: 100%–0 B: 100% R: 0–100% G: 0 B: 100% R: 100% G: 0 B: 100%–0 R: 100% G: 0–100% B: 0–100% R: 100%–0 G: 100%–0 B: 100% R: 100% G: 100% B: 100% A: 100% White 1 White 2 White 3 White 4 White 5 White 6 White 7 White 8 White 9 White 10 White 11
	10	Automatic Programs	000 ó 010 011 ó 060 061 ó 120 121 ó 180 181 ó 240 241 ó 255	No function Automatic program 1 Automatic program 2 Automatic program 3 Automatic program 4 Automatic program 0 (Auto 1–4)
	11	Automatic Speed	000 ó 255	Slow to fast (when channel 10 is 011–255)
	12	Dimmer Speed	000 ó 051 052 ó 101 102 ó 152 153 ó 203 204 ó 255	Preset dimmer speed from display menu Dimming curve off (linear dimmer) Nonlinear dimming curve 1 (fastest) Nonlinear dimming curve 2 Nonlinear dimming curve 3 (slowest)

DMX Values (cont.)

13Ch	Channel	Function	Value	Percent/Setting
	1	Red	000 ó 255	0–100%
	2	Fine Red	000 ó 255	Fine control (16-bit)
	3	Green	000 ó 255	0–100%
	4	Fine Green	000 ó 255	Fine control (16-bit)
	5	Blue	000 ó 255	0–100%
	6	Fine Blue	000 ó 255	Fine control (16-bit)
	7	Amber	000 ó 255	0–100%
	8	Fine Amber	000 ó 255	Fine control (16-bit)
	9	White	000 ó 255	0–100%
	10	Fine White	000 ó 255	Fine control (16-bit)
	11	UV	000 ó 255	0–100%
	12	Fine UV	000 ó 255	Fine control (16-bit)
	13	Dimmer Speed	000 ó 051 052 ó 101 102 ó 152 153 ó 203 204 ó 255	Preset dimmer speed from display menu Dimming curve off (linear dimmer) Nonlinear dimming curve 1 (fastest) Nonlinear dimming curve 2 Nonlinear dimming curve 3 (slowest)

5. TECHNICAL INFORMATION

Product Maintenance

To maintain optimum performance and minimize wear, you should clean this product frequently. Usage and environment are contributing factors in determining the cleaning frequency.

As a rule, clean this product at least twice a month. Dust build-up reduces light output performance and can cause overheating. This can lead to reduced light source life and increased mechanical wear.

To clean your product:

1. Unplug the product from power.
2. Wait until the product is at room temperature.
3. Use a vacuum (or dry compressed air) and a soft brush to remove dust collected on the external vents.
4. Clean all external surfaces with a mild solution of non-ammonia glass cleaner or isopropyl alcohol.
5. Apply the solution directly to a soft, lint-free cotton cloth or a lens cleaning tissue.
6. Wipe any dirt or grime to the outside edges of the lens surface.
7. Gently polish the lens surfaces until they are free of haze and lint.



Always dry the external surfaces thoroughly and carefully after cleaning them.

6. TECHNICAL SPECIFICATIONS

Dimensions and Weight	Length	Width	Height	Weight
	3.86 in (98 mm)	9.96 in (253 mm)	10.22 in (260 mm)	7.2 lb (3.3 kg)
Note: Dimensions in inches rounded to the nearest decimal digit.				
Power	Power Supply Type	Range		Voltage Selection
	Switching (internal)	100–240 VAC, 50/60 Hz		Auto-ranging
	Parameter	120 VAC, 60 Hz		230 VAC, 50 Hz
	Consumption	60 W		60 W
	Current	0.49 A		0.26 A
	Power linking current (products)	13.6 A (27 products)		13.6 A (52 products)
	Fuse/Breaker	T 2 A, 250 V		T 2 A, 250 V
	Power I/O	U.S./Canada		Worldwide
	Power input connector	Neutrik® powerCON® A		Neutrik® powerCON® A
	Power output connector	Neutrik® powerCON® B		Neutrik® powerCON® B
Power cord plug	Edison (U.S.)		Local plug	
Light Source	Type	Power		Lifespan
	LED	10 W		50,000 hours
	Color	Quantity		Current
	Hex-color (RGBAW+UV)	7		2.3 A
Photo Optic	Parameter	Standard 25° Optics		
	Illuminance @ 5 m	512 lux		
	Beam angle	21°		
	Field angle	33°		
Thermal	Max. External Temperature	Cooling System		
	113 °F (45 °C)	Convection		
DMX	I/O Connectors	Connector Type		Channel Range
	3- and 5-pin XLR	Sockets		3, 6, 8, 12 or 13
Ordering	Product Name	Item Code		UPC Number
	COLORdash™ Par-Hex 7	03030806		781462211547



UL 1573
CSA C22.2 No. 166
E113093



Returns You must send the product prepaid, in the original box, and with the original packing and accessories. Chauvet will not issue call tags. Call Chauvet and request a Return Merchandise Authorization (RMA) number before shipping the product. Be prepared to provide the model number, serial number, and a brief description of the cause(s) for the return. Clearly label the package with an RMA number. Chauvet will refuse any product returned without an RMA number.



DO NOT write the RMA number directly on the box. Instead, write it on a properly affixed label.

Once you have received the RMA number, include the following information on a piece of paper inside the box:

- Your name
- Your address
- Your phone number
- The RMA number
- A brief description of the problem(s)

Be sure to pack the product properly. Any shipping damage resulting from inadequate packaging will be the customer's responsibility. FedEx packing or double-boxing is recommended.



Chauvet reserves the right to use its own discretion to repair or replace returned product(s).

CONTACT Us

WORLD HEADQUARTERS - Chauvet

General Information

Address: 5200 NW 108th Avenue
Sunrise, FL 33351
Voice: (954) 577-4455
Fax: (954) 929-5560
Toll free: (800) 762-1084

Technical Support

Voice: (954) 577-4455 (Press 4)
Fax: (954) 756-8015
Email: tech@chauvetlighting.com

World Wide Web www.chauvetlighting.com

UNITED KINGDOM AND IRELAND - Chauvet Europe Ltd.

General Information

Address: Unit 1C
Brookhill Road Industrial Estate
Pinxton, Nottingham, UK
NG16 6NT

Voice: +44 (0)1773 511115
Fax: +44 (0)1773 511110

Technical Support

Email: uktech@chauvetlighting.com

World Wide Web www.chauvetlighting.co.uk

MEXICO - Chauvet Mexico

General Information

Address: Av. Santa Ana 30
Parque Industrial Lerma
Lerma, Mexico C.P. 52000

Voice: +52 (728) 285-5000

Technical Support

Email: servicio@chauvet.com.mx

World Wide Web www.chauvet.com.mx

CHAUVET EUROPE - Chauvet Europe BVBA

General Information

Address: Stokstraat 18
9770 Kruishoutem
Belgium

Voice: +32 9 388 93 97

Technical Support

Email: Eutech@chauvetlighting.eu

World Wide Web www.chauvetlighting.eu

Outside the U.S., United Kingdom, Ireland, Mexico, or Benelux contact the dealer of record. Follow their instructions to request support or to return a product. Visit our website for contact details.